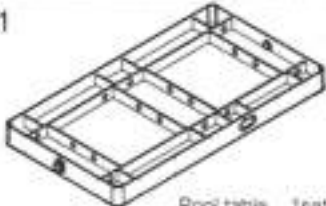











POOL TABLE MATTEW GREEN INSTRUCTIONS



PARTS IDENTIFIER

<p>#1</p>  <p>Pool table 1set</p>	<p>#2</p>  <p>Air hockey table 1set</p>	
<p>#3</p>  <p>Leg A 2pcs Leg B 2pcs</p>	<p>#4</p>  <p>Leg support 2pcs</p>	<p>#5</p>  <p>Leg side panel 2pcs</p>
<p>#6</p>  <p>Leg short panel 1pc</p>	<p>#7</p>  <p>Table tennis surface 2pcs</p>	<p>#8</p>  <p>Puck catcher 2pcs</p>
<p>#9</p>  <p>Plastic tray A 1pc</p>	<p>#10</p>  <p>Plastic tray B 1pc</p>	<p>#11</p>  <p>Latches 4pcs</p>
<p>#12</p>  <p>Leg leveler 4pcs</p>	<p>#13</p>  <p>Cue holder 2pcs</p>	<p>#14</p>  <p>Bolt 4pcs</p>
<p>#15</p>  <p>Bolt 4pcs</p>	<p>#16</p>  <p>Washer 12pcs</p>	<p>#17</p>  <p>Barrel nut 12pcs</p>

PARTS IDENTIFIER

<p>#18</p>  <p>Round head screw 20pcs</p>	<p>#19</p>  <p>Round head screw 19pcs</p>	<p>#20</p>  <p>Flat head screw 8pcs</p>
<p>#21</p>  <p>Round head screw 18pcs</p>	<p>#22</p>  <p>Allen key tool 1pc</p>	<p>#23</p>  <p>Hockey striker 2pcs</p>
<p>#24</p>  <p>Hockey Puck 2pcs</p>	<p>#25</p>  <p>Billiard ball 1set</p>	<p>#26</p>  <p>Cue stick 2pcs</p>
<p>#27</p>  <p>Plastic brush 1pc</p>	<p>#28</p>  <p>Triangle rack 1pc</p>	<p>#29</p>  <p>Chalk 2pcs</p>
<p>#30</p>  <p>Table tennis paddle 2pcs</p>	<p>#31</p>  <p>Table tennis ball 3pcs</p>	<p>#32</p>  <p>Table tennis net 1set</p>
<p>#33 (PRE-Assembled)</p>  <p>Rotational bolt 2pcs</p>	<p>#34 (PRE-Assembled)</p>  <p>Fan motor 1pc</p>	<p>#35</p>  <p>Support Brace 1pc</p>

ASSEMBLY INSTRUCTIONS

WARNING: TWO ADULTS NEEDED ASSEMBLE POOL TABLE

Instructions before assembly

1. After opening the box, remove the ice hockey platform (#2) from the back of the pool table and take out the parts box and the parts scattered on the back of the table. Be careful to place the ice hockey table without damaging the fan on the back (#34).
2. Lift the pool table (#1) and take out the parts and other items in the pool.
3. Count all the parts and quantities according to the parts list to prepare the assembly below.

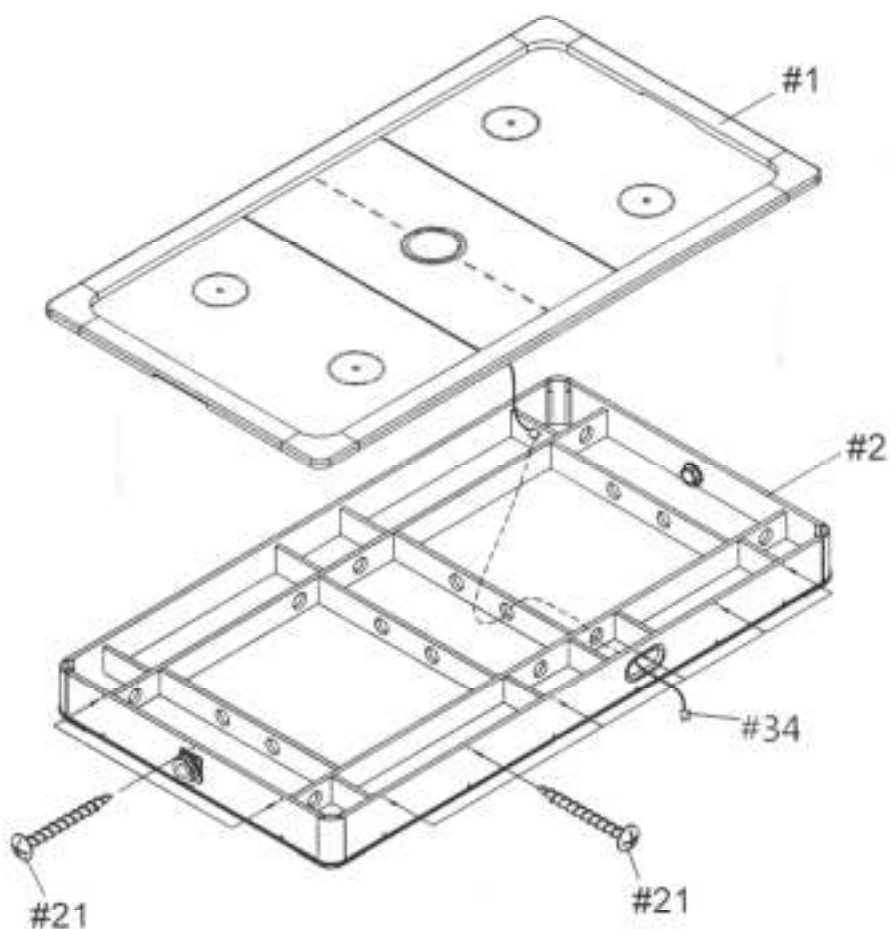


Figure 1

ASSEMBLY INSTRUCTIONS

WARNING: TWO ADULTS NEEDED ASSEMBLE POOL TABLE

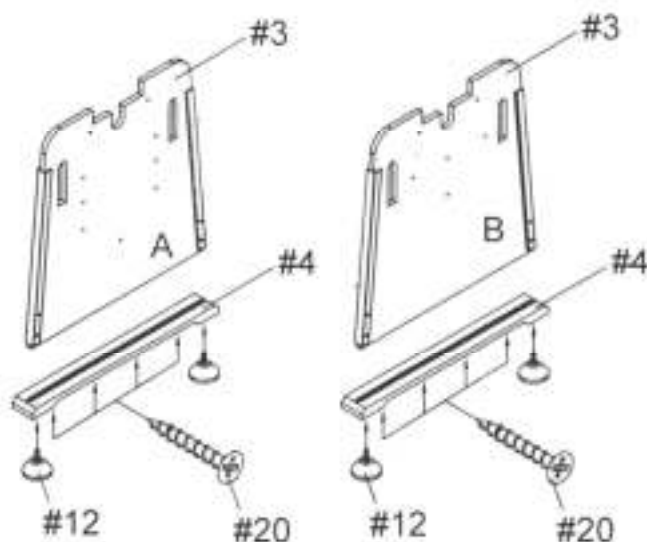


Figure 2

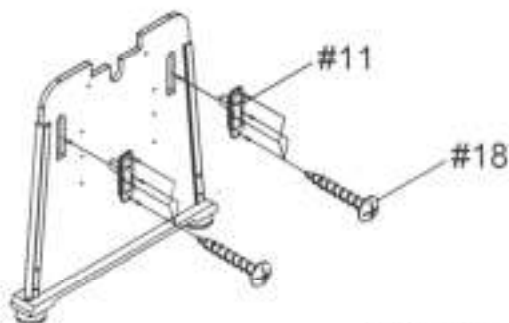


Figure 3

ASSEMBLY INSTRUCTIONS

WARNING: TWO ADULTS NEEDED ASSEMBLE POOL TABLE

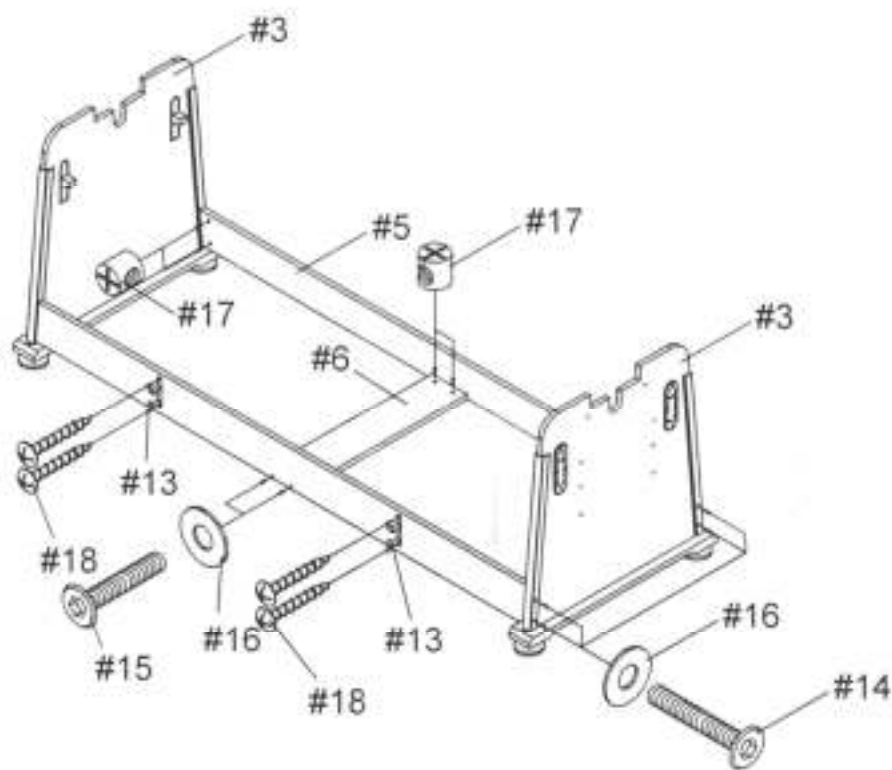


Figure 4

ASSEMBLY INSTRUCTIONS

WARNING: YOU WILL NEED A SECOND ADULT TO ASSIST WITH THIS ASSEMBLY (INDEALLY 4 ADULTS NEEDED FOR LIFTING)

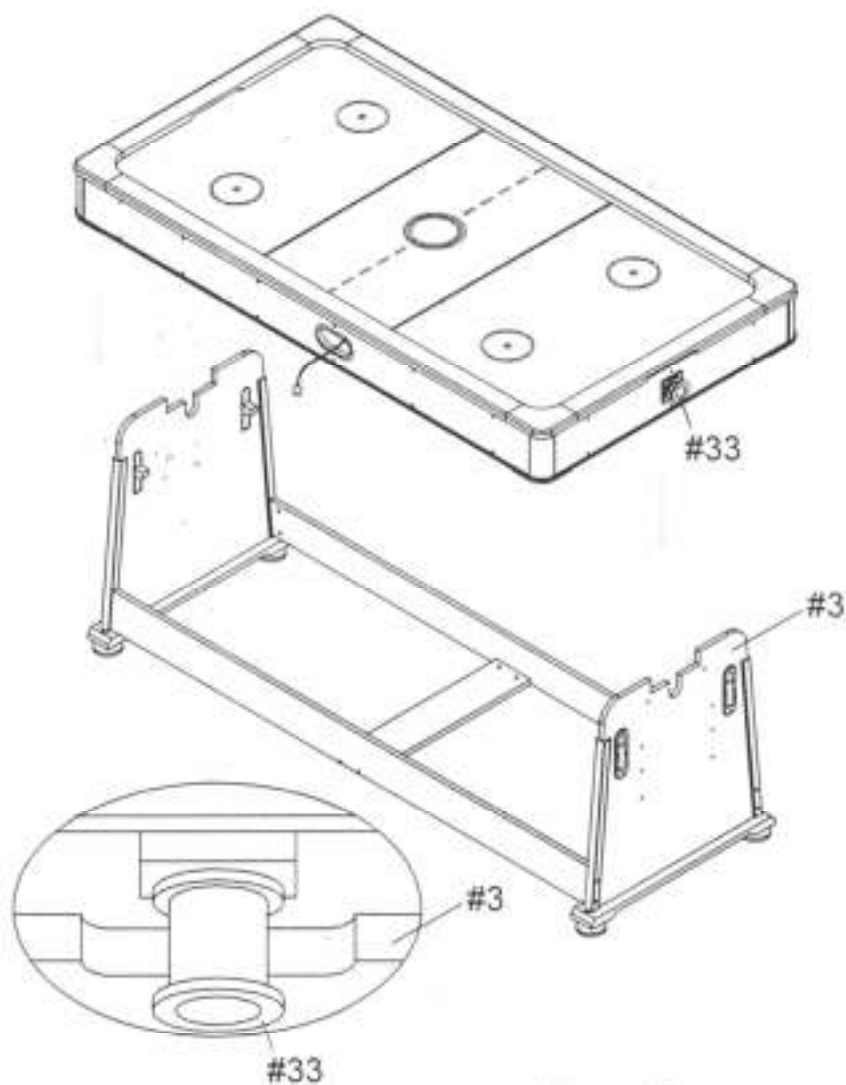


Figure 5

ASSEMBLY INSTRUCTIONS

WARNING: TWO ADULTS NEEDED ASSEMBLE POOL TABLE

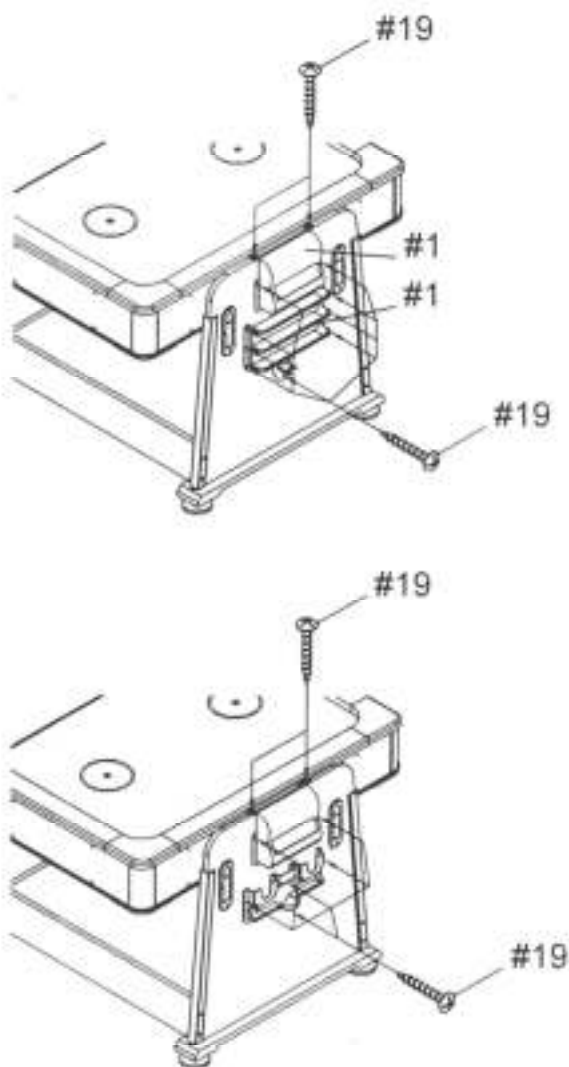


Figure 6

ASSEMBLY INSTRUCTIONS

WARNING: TWO ADULTS NEEDED ASSEMBLE POOL TABLE

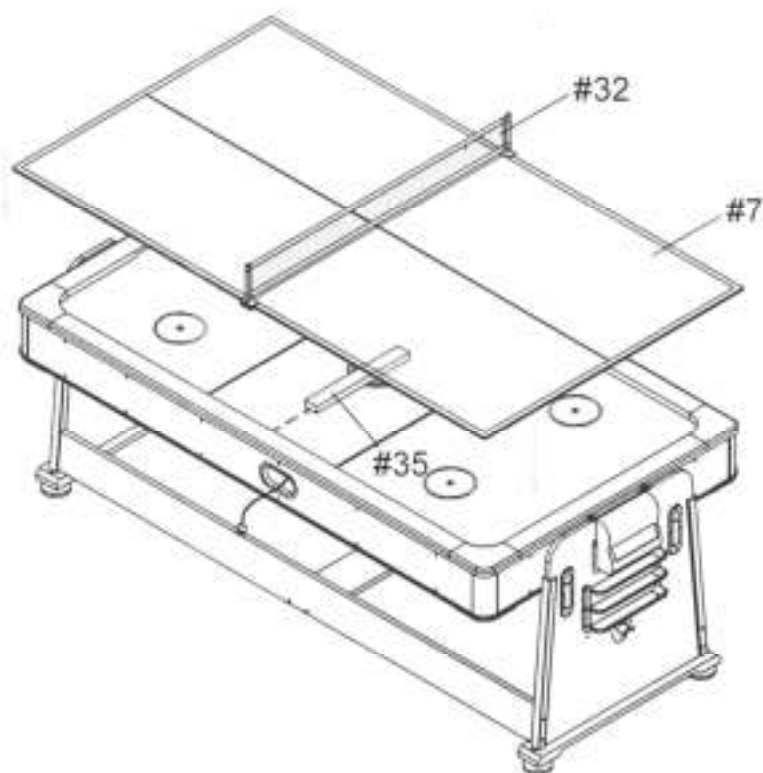


Figure 7

Please keep these instructions for future reference. Adult assembly required.
This table is not a toy & is intended for use by or under the supervision of adults.

Tool required

Philips Screwdriver-not included

Standard(flat head) Screwdriver-not included

Allen Key-included

Note:electric screwdrivers may be helpful during assembly however please set a low torque & use extreme caution.

Assembly Tips

Make sure you understand the following before you begin to assemble your game table.

1. READ THIS MANUAL all the way through before beginning assembly.
2. Some drawings or images in the manual may not look exactly like your product.
3. you will need a second adult to assist with this assembly (ideally 4 adults needed for lifting)
4. Save all packing materials until the parts have been inspected & the table is assembled

Unpack the pieces

1. Lay the box a flat surface (the floor). You may want this near your area of assembly.
2. Unpack the boxes & parts bags. inspect & count the parts. The parts identifier page can be used to record your results.
3. Some parts on the parts identifier page are pre-assembled.
4. Not that some parts are stored inside the table top.