

# SOCCER TABLE MARACANA'

# INSTRUCTIONS

---



**WARNING:Choking Hazard--Toy contains small balls and/ or small parts.Not for children under 3 years.**

**IMPORTANT!**

Please keep your instructions. Before attempting assembly, please read through this instruction book to familiarize yourself with all the parts and assembly steps. We recommend that two adults assemble the football table. Please refer to the parts list below and be sure that all parts have been included.

**PARTS LIST**

1  SIDE BOARD 2EA	2  GOAL END BOARD 2EA	3  3.5X14MM FLAT HEAD SCREW 6 EA	4  SOCCER PLAYFIELD 1EA	5  SUPPORT BRACES 2EA	6  LEG 4EA
7  6X30MM LEG BOLT 24EA	8  18X6.5MM WASHER 24EA	9  3.5X25MM FLAT HEAD SCREW 4 EA	10  3.5 X 40MM WASHER HEAD SCREW 4 EA	11  3.5 X 28MM WASHER HEAD SCREW 8 EA	12  END CUP 8EA
13  LEG LEVELER 4EA	14  HAND GRIP 8EA	15  1&3 PLAYER ROD 4EA	16  2 PLAYER ROD 2EA	17  5 PLAYER ROD 2EA	18  END RING 4EA
19  PLAYER (WHITE) 11EA	20  PLAYER (BLUE) 11EA	21  4X23MM ROUND HEAD SCREW 26EA	22  NUT 26EA	23  SOCCER BALL 2EA	24  ALLEN WRENCH 1EA
25  RUBBER BUMPER 16EA	26  BALL ENTRY CUP 2EA	27  SCORER 2EA			

FIG.1

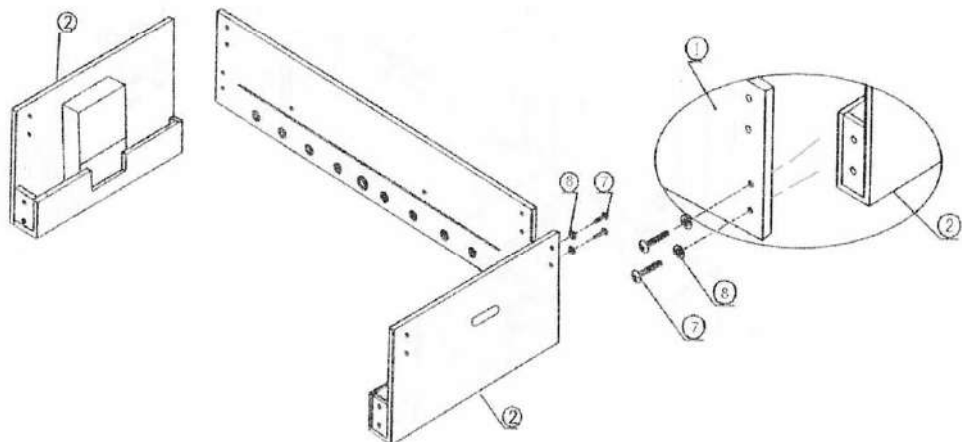


FIG.2

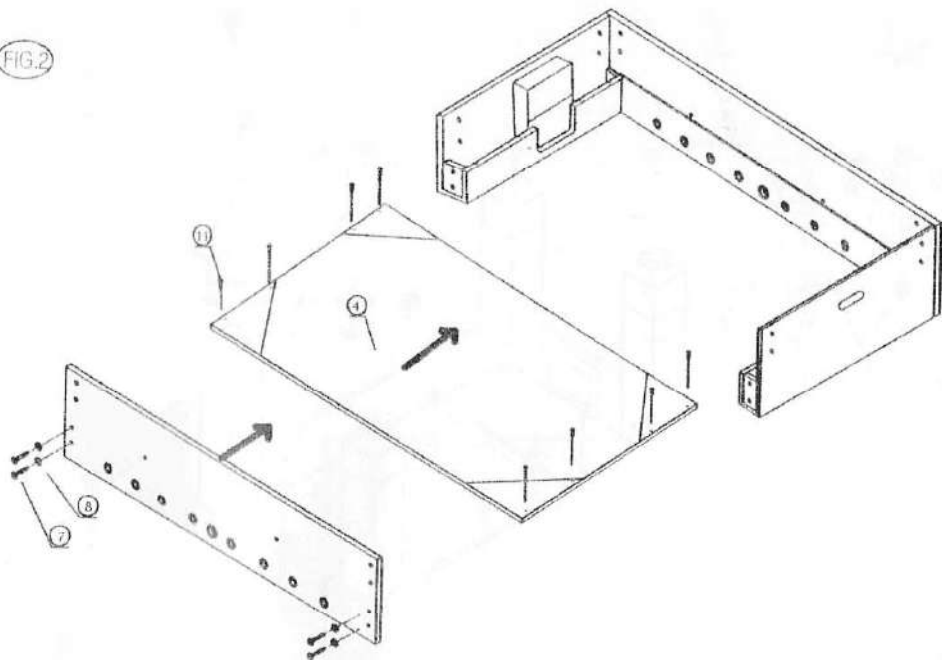


FIG.3

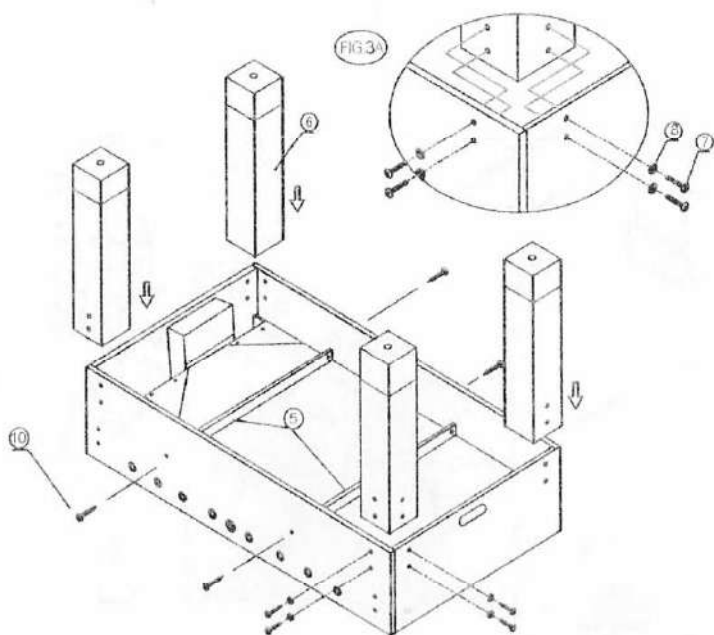


FIG.4

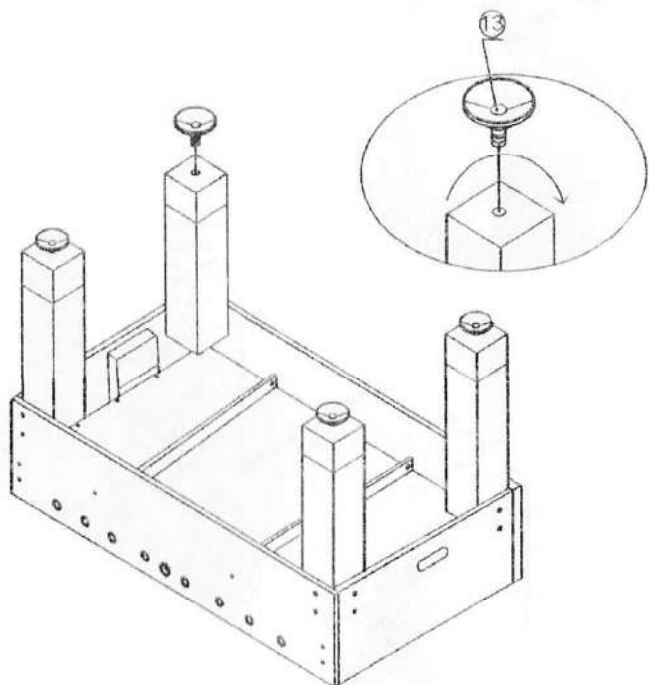
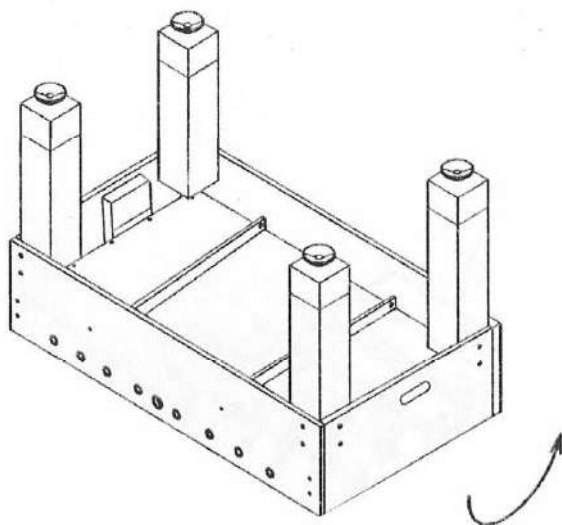


FIG 5



**CAUTION:** Two strong adults are recommended to flip the table as shown.

1. Grab the table on the ground.
2. Turn the table over.
3. Place it on all four feet at the same time on the ground.

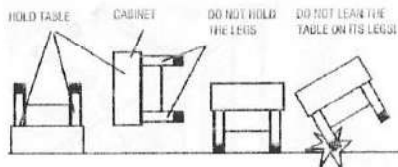
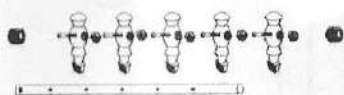


FIG 6

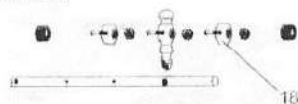
3 PLAYER ROD



5 PLAYER ROD



1 PLAYER ROD



2 PLAYER ROD

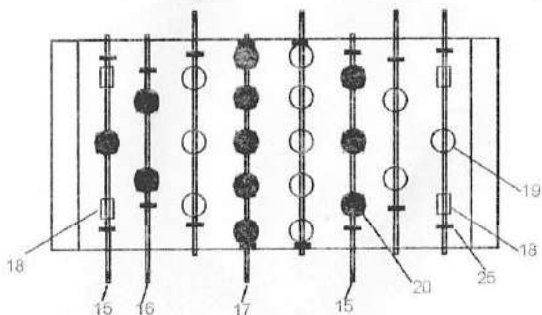
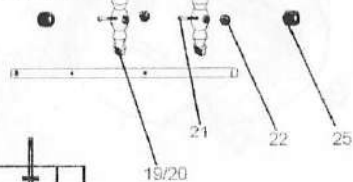


FIG. 7

