

Soccer Table TOP CLASS

INSTRUCTIONS



WARNING: Choking Hazard--Toy contains small balls and/or small parts. Not for children under 3 years.

IMPORTANT!

Please keep your instructions. Before attempting assembly, please read through this instruction book to familiarize yourself with all the parts and assembly steps. We recommend that two adults assemble the football table. Please refer to the parts list below and be sure that all parts have been included.

PARTS LIST					
1  SIDE BOARD 2EA	2  GOAL END BOARD 2EA	3  3.5X14MM FLAT HEAD SCREW 14 EA	4  SOCCER PLAYFIELD 1EA	5  SUPPORT BRACES 2EA	6  LEFT LEG 2EA
7  RIGHT LEG 2EA	8  6X30MM LEG BOLT 16EA	9  16X5.5MM WASHER 28EA	10  6X40MM BOLT 12 EA	11  3.5 X 12MM WASHER HEAD SCREW 12 EA	12  3.5 X 33MM WASHER HEAD SCREW 14 EA
13  CORNER 4EA	14  CHROME BAR 2EA	15  1&3 PLAYER ROD 4EA	16  2 PLAYER ROD 2EA	17  5 PLAYER ROD 2EA	18  END CUP 8EA
19  PLAYER (WHITE) 11EA	20  PLAYER (BLUE) 11EA	21  4X25MM ROUND HEAD SCREW 26EA	22  NUT 26EA	23  CUP HOLDER 2EA	24  END RING 4EA
25  RUBBER BUMPER 16EA	26  BALL ENTRY CUP 2EA	27  SCORER 2EA	28  LEG LEVELER 4EA	29  SOCCER BALL 2EA	30  HAND GRIP 8EA
31  GOAL BOX 2EA	32  TUBE 2EA	33  BALL RETURN TRAY 2EA	34  ALLEN WRENCH 1EA		

FIG.1

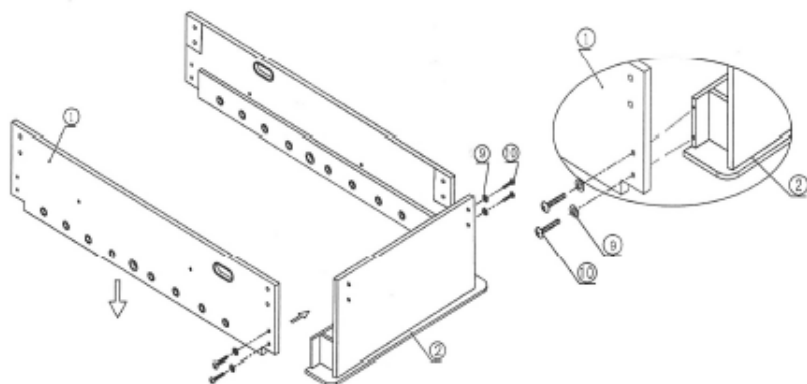


FIG.2

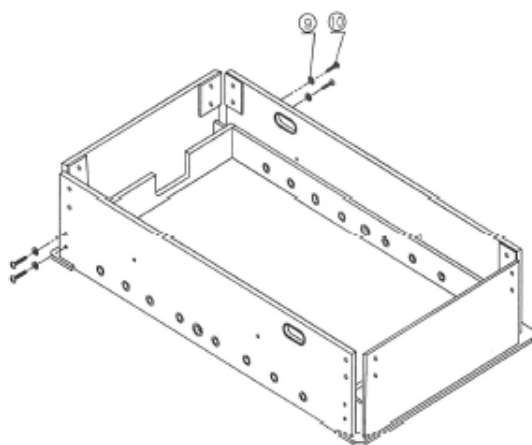


FIG. 3

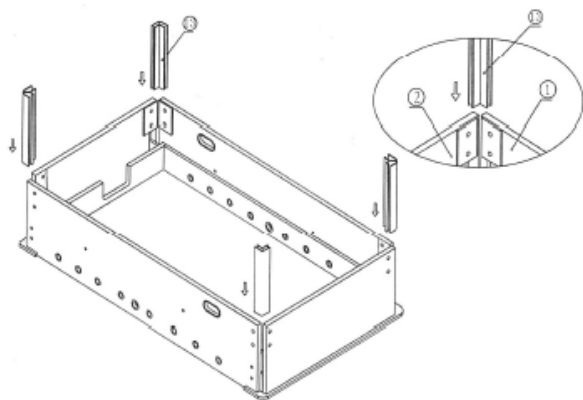


FIG. 4

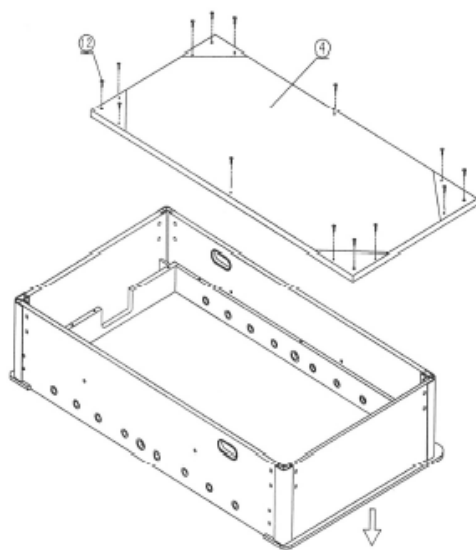


FIG.5

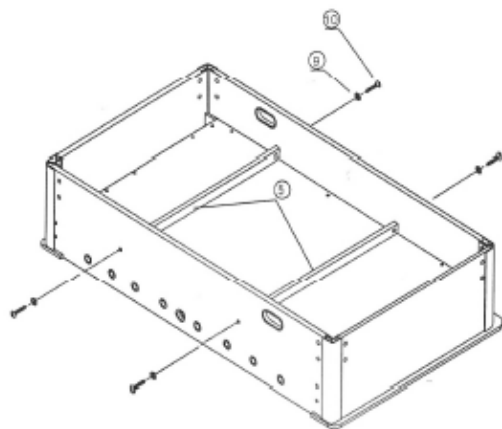


FIG.6

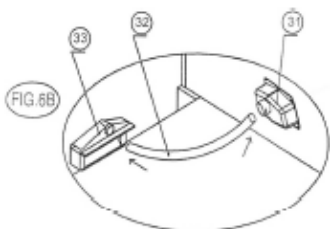
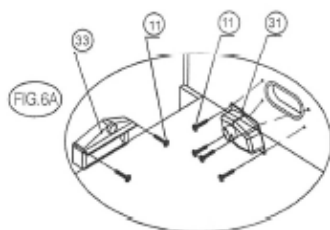
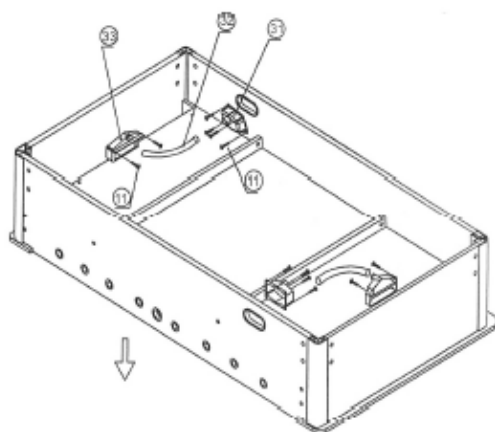


FIG.7

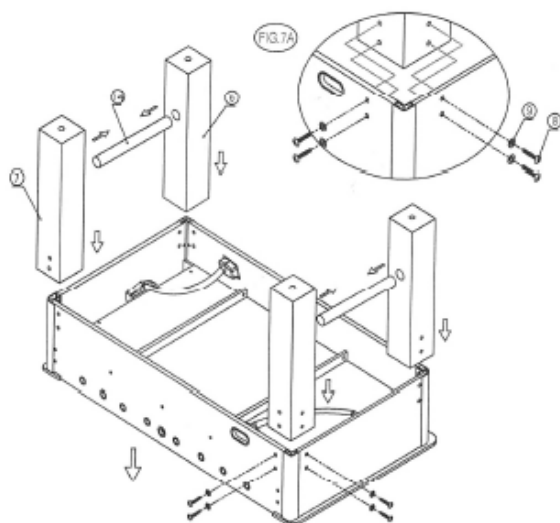


FIG.8

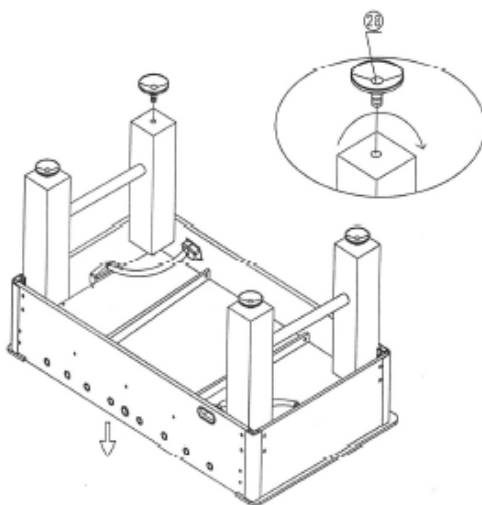
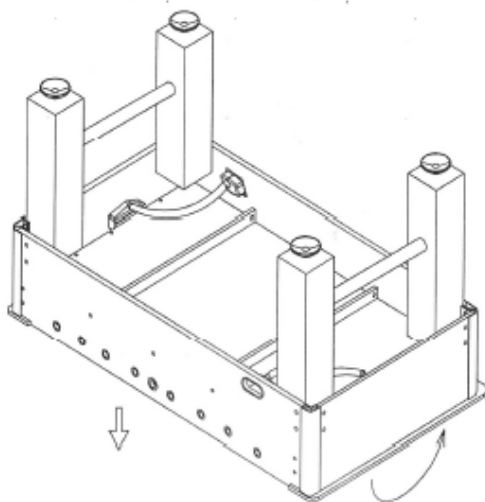


FIG.9



CAUTION: Two strong adults are recommended to flip the table as shown.
 1. Grab the table on the ground.
 2. Turn the table over.
 3. Place it on all four feet at the same time on the ground.

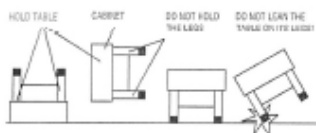
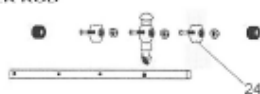


FIG.10

3 PLAYER ROD



1 PLAYER ROD



5 PLAYER ROD



2 PLAYER ROD

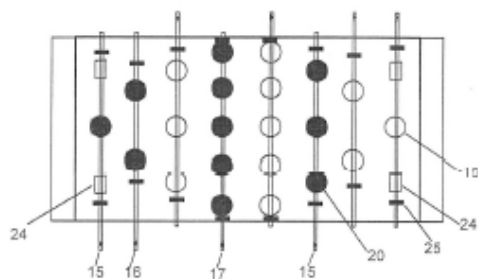
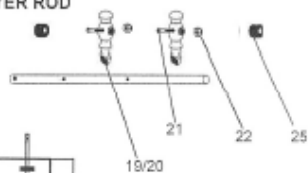


FIG.11

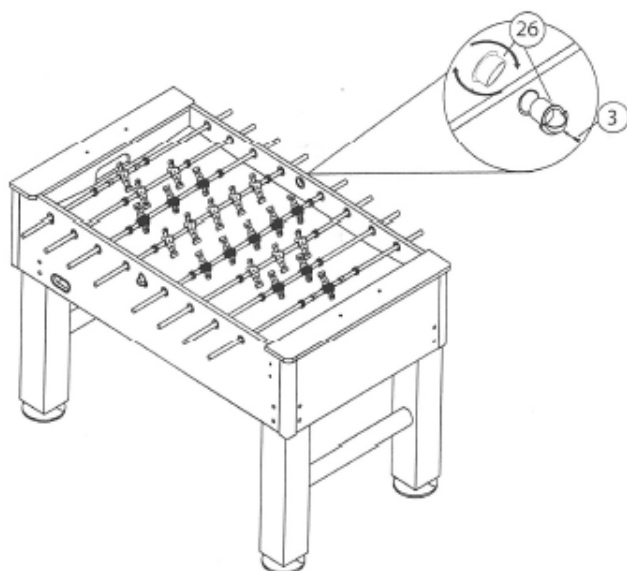


FIG.12

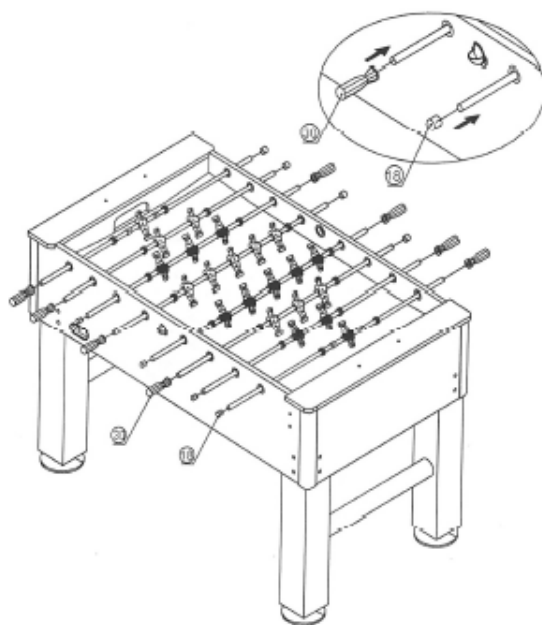


FIG13

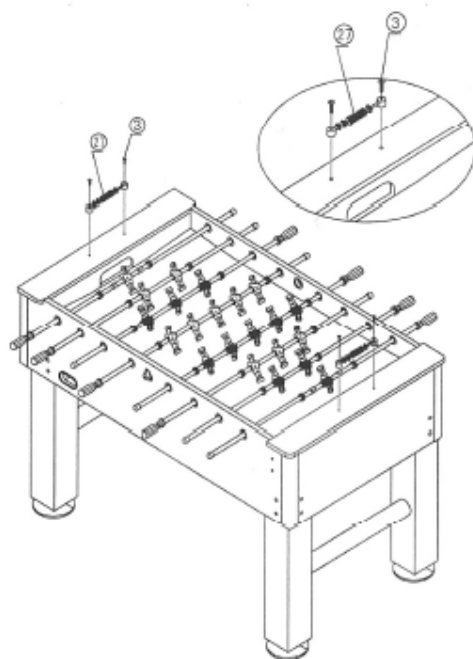


FIG14

